

TIMBERLUX®

25MM ISO TIMBERLUX SPECIFICATION

25MM ISO TIMBERLUX SPECIFICATION	
Slat Thickness (mm) Basswood	
	2.75
Slat Thickness (mm) Bamboo	
	2.2
Headrail	Depth (mm)
	Height (mm)
	25
	25
Valance	50mm slat is used to cover the headrail. Valance will be longer 34mm than a headrail.
Minimum and maximum widths and drops	Minimum width 300mm - Maximum width 1800mm
	Minimum height 150mm - Maximum height 2500mm
Maximum area	4 m2

Additional information - blinds are produced within an operating tolerance of +/- 5mm (width & drop).

LADDERS & PUNCH HOLES

BASSWOOD AND BAMBOO						
Blind width (mm)		<455	456-700	701-1300	1301-1700	1701+
Distance from end to first punch hole (mm)		100	150	150	150	150
Number of ladders		2	2	3	4	5
Number of lift cords		2	2	2	4	4
Gap between headrail and first slat	20mm					

CONTROLS

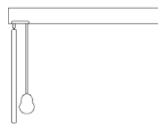
25mm ISO Timberlux blinds are controlled by wand (tilt) and cord (lift).



Control wand on the left, cord on the right "KD"



Control wand on the right, cord on the left "DK"



Control wand and cord on the left "K"



Control wand and cord on the right "D"

Blinds widths from 301 to 455mm are available with tilt only option (without lifting). Blinds with widths wider than 456mm are available with all controls.

BASSWOOD COLLECTION 25mm

Slat colour	Slat width	Tassel	Cord	Ladder	Headrail	Valance shape	Cord cond. colour	Control wand	Bottom bar
Stark	25mm	Stark / TTL001	White / HZM-V01-25	White / HZM-KO01-25	White / HZM-K02-25	Flat	Snow White / CCW09	MRV-K2520	Trapezoid
Natural	25mm	Natural / TTL014	Natural / HZM-V03-25	Natural / HZM-KO03-25	Natural / HZM-K47-25	Flat	Buff / CCLB05	MRV-K2530	Trapezoid
Light Oak	25mm	Light Oak / TTL018	Maple / HZM-V05-25	Maple / HZM-KO05-25	Natural / HZM-K47-25	Flat	Hickory / CCW10	MRV-K2530	Trapezoid
Golden Oak	25mm	Golden Oak / TTL019	Light Brown / HZM-V06-25	Light Brown / HZM-KO06-25	Natural / HZM-K47-25	Flat	Hickory / CCW10	MRV-K2531	Trapezoid
Yarrin	25mm	Yarrin / TTL023	Black / HZM-V11-25	Black / HZM-KO11-25	Black / HZM-K11-25	Flat	Nero / CCLB02	MRV-K2521	Trapezoid
Walnut	25mm	Walnut / TTL021	Wenge / HZM-V12-25	Wenge / HZM-KO12-25	Dark Oak / HZM-K34-25	Flat	Hickory / CCW10	MRV-K2532	Trapezoid
Mystic	25mm	Anthracite / TTL050	Wenge / HZM-V12-25	Wenge / HZM-KO12-25	Anthracite / HZM-K23-25	Flat	Charcoal / CCA01	MRV-K2533	Trapezoid

BAMBOO COLLECTION 25mm

Slat colour	Slat width	Tassel	Cord	Ladder	Headrail	Valance shape	Cord cond. colour	Control wand	Bottom bar
Haze	25mm	Feline / TTL031	Grey / HZM-V08-25	Light Blue / HZM-KO08-25	Anthracite / HZM-K23-25	Flat	Pebble / CCW11	M-VR-BAMB07-150	Rectangular
Armour	25mm	Storm / TTL009	Grey / HZM-V08-25	Light Blue / HZM-KO08-25	Anthracite / HZM-K23-25	Flat	Charcoal / CCA01	M-VR-BAMB07-150	Rectangular
Cinder	25mm	Storm / TTL009	Black / HZM-V11-25	Black / HZM-KO11-25	Anthracite / HZM-K23-25	Flat	Charcoal / CCA01	M-VR-BAMB07-150	Rectangular
Zaya	25mm	Wenge / TTL022	Wenge / HZM-V12-25	Wenge / HZM-KO12-25	Black / HZM-K11-25	Flat	Hickory / CCW10	M-VR-BAMB06-150	Rectangular
Neo	25mm	Walnut / TTL021	Tiger Eye / HZM-V10-25	Tiger Eye / HZM-KO10-25	Dark Oak / HZM-K34-25	Flat	Hickory / CCW10	M-VR-BAMB05-150	Rectangular
Karri	25mm	Light Oak / TTL018	Pine / HZM-V04-25	Pine / HZM-KO04-25	Pine / HZM-K46-25	Flat	Buff / CCLB05	M-VR-BAMB04-150	Rectangular
Arcana	25mm	Light Oak / TTL018	Pine / HZM-V04-25	Pine / HZM-KO04-25	Pine / HZM-K46-25	Flat	Buff / CCLB05	M-VR-BAMB03-150	Rectangular
Danta	25mm	Light Oak / TTL018	Pine / HZM-V04-25	Pine / HZM-KO04-25	Pine / HZM-K46-25	Flat	Buff / CCLB05	M-VR-BAMB02-150	Rectangular
Mari	25mm	Alpine / TTL002	Natural / HZM-V03-25	Natural / HZM-KO03-25	Natural / HZM-K47-25	Flat	Buff / CCLB05	M-VR-BAMB01-150	Rectangular

Important information

25mm ISO Timberlux wood blinds are a natural product thus variations in shade, graining as well as warping may occur.

BASSWOOD COLLECTION



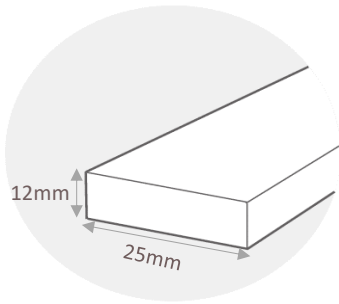
BAMBOO COLLECTION



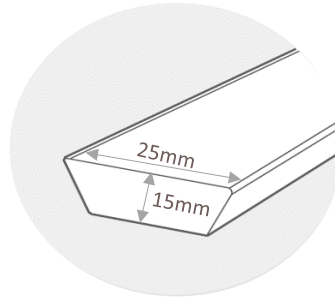
Please note that Bamboo is a sustainable, softer wood and can expect a degree of the following: Flexibility in the slat, a degree of bowing at the bottom of wider - width blinds when raised, as well as knots and horizontal grains. These are all natural characteristics of the wood.

BOTTOM BARS

Rectangular



Trapezoid



VALANCES

50mm slat is used to cover the headrail. Valance includes a cut for the control stick.



VALANCE ATTACHMENT

Valance is secured onto the mounting brackets using a clip. The valance clip is supplied in the set together with mounting brackets.



RETRACTION BLOCK

If the depth of the window frame is less than 16mm, we recommended to use special retraction blocks. The quantity of retraction block pairs depends on the extent needed to retract the blind mechanism from the glass packet. the thickness of one block is 2mm. As a standard, 2 pieces of retraction blocks are included in the product package.

If more than 1 pair is required, they are available for additional surcharge.



Retraction block
HZM-AK

TASSELS

Timberlux blinds are supplied with matching wooden tassels which colour match our slats. Raise and lift tassels are the same. Metal tassel option available for additional surcharge (1pcs for blind). Metal tassels can be easily matched to any wood colour and add a touch of luxury.

Metal tassel collection

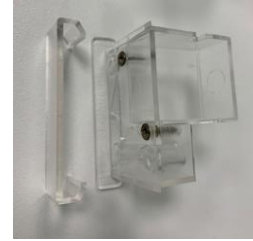


MOUNTING BRACKETS

25mm ISO Timberlux is mounted on the glazing. Blinds are supplied with 2 brackets. Blinds wider than 1200mm width will have 2 centre support brackets.



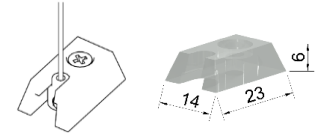
Centre support bracket
(HZM-MML-25 and HZM-LMM-25)



Bracket (HZM-TL-D and
HZM-TL-K)

GUIDE WIRES

25mm ISO Timberlux blinds come with guide wires (side guides). Side guide punch holes are positioned 20mm from the edge of the slat.



Wire fixation.
Component HZPT-SF

STACK HEIGHT

The stacking height of a blind refers to the measurement from top to bottom when the blind is fully raised. These stacking heights should be treated as advice only. There is a slight variance in the slat thickness and in how the slats pack with the ladder tape, therefore each individual blind will be different. * Stacking height measurement is taken from the top of the top profile up to the bottom of the bottom bar (marked "H" in the scheme below).

STACKING HEIGHTS		
Blind drop (mm)	Basswood	Bamboo
200	77	72
400	100	90
600	122	107
800	144	125
1000	167	142
1200	189	160
1400	211	177
1600	234	195
1800	256	212
2000	278	230
2200	300	247
2400	323	265
2600	345	282



*Valance and mounting brackets are not included in the stack height

CHILD SAFETY

25mm ISO Timberlux blinds come with a colour co-ordinated cord condenser and cleat. The cord condenser is designed to consolidate the pull cords into one operational string and also to break-away, stopping any loops from forming. The safety cleat is used to wrap the cord around to keep out of children's reach.

25mm ISO Timberlux blinds are manufactured with a choice of 6 colours of cord condenser and are colour matched to the slat. See colour matching tables.

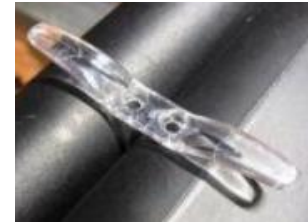


Cord condenser

CORD CONDENSER COLORS



CCA01	CCB02	CCLB05	CCW09	CCW10	CCW11
anthracite	black	buff	white	dark brown	pebble



Safety Cleat (LC154)

CHILD SAFETY

- If control length does not meet the child safety requirements, then it needs to be reduced to the maximum allowed length according to those requirements:
- When installation height is known, the distance between the floor and the bottom of the controls needs to be no less than 1.5m.
- When installation height is unknown, but the blind height is less than 2.5m, control length should be no more than 1m.
- When installation height is unknown, but the blind height is more than 2.5m, control length should not be longer than blind height reduced by 1.5m (blind h - 1.5m = control length).

25mm ISO Timberlux blinds come with a colour co-ordinated control wand. The length of the control wand is indicated in the table below.

Blind drop (mm)	Length of the control wand (mm)
to 400 mm	100 mm
from 400 mm to 1800 mm	height of blind minus 300mm
from 1800 mm	1500 mm

A slight difference in the shades of the control wands is possible for blinds with Walnut, Natural, Golden Oak and Light Oak colors.

